

# Full Motion Mounts

# Tilting Mounts

Extendable long arm , turns your TV 90 degrees to the wall



38mm  
1.5"

Extremely ultra thin tilting mount for LED TV,  
angle free adjustable



28mm  
1.1"

Super Low Profile



**Angle Free Tilt Function**  
By self-locking mechanical construction, it provides effortless adjustment of viewing angle without tightening the knob.



**Automatic Lock Cord**  
Lock the bracket automatically for convenience and safe installation.



**Super Low Profile**  
Super low profile design saves the room space and makes your TV look like a picture hanging on the wall.



**Magnetic Bubble Level**  
Perfect positioning is guaranteed by removable magnetic bubble level.



**Cable Management System**  
The cable management system gathers and routes your cable neatly.



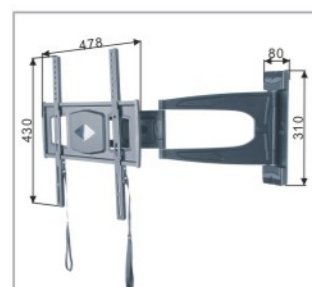
**Magnetic Bubble Level**  
Perfect positioning is guaranteed by removable magnetic bubble level.



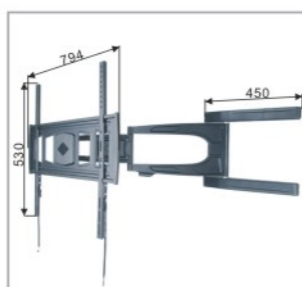
**Safety Lock**  
Built-in Safety lock keeps your flat panel TV safe and stable.



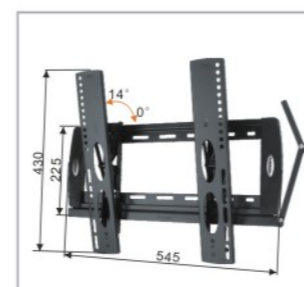
**Universal Hole Pattern**  
Random hole pattern and side-to-side adjustment allow mount to fit nearly all flat-panel TVs



**PSW801SAT**  
Fits most displays: 26"-42"  
Universal VESA: 200X100 400X400  
Distance to the wall: 38-535 mm  
Max loading capacity: 25 kg



**PSW801MAT**  
Fits most displays: 37"-55"  
Universal VESA: 200X100 700X500  
Distance to the wall: 41-625 mm  
Max loading capacity: 35 kg



**PSW558ST**  
Fits most displays: 23"-42"  
Universal VESA: 100X100 400X400  
Distance to the wall: 28 mm  
Max loading capacity: 20 kg



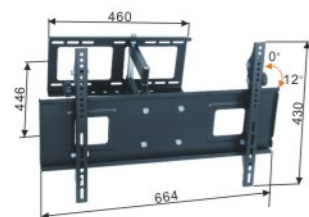
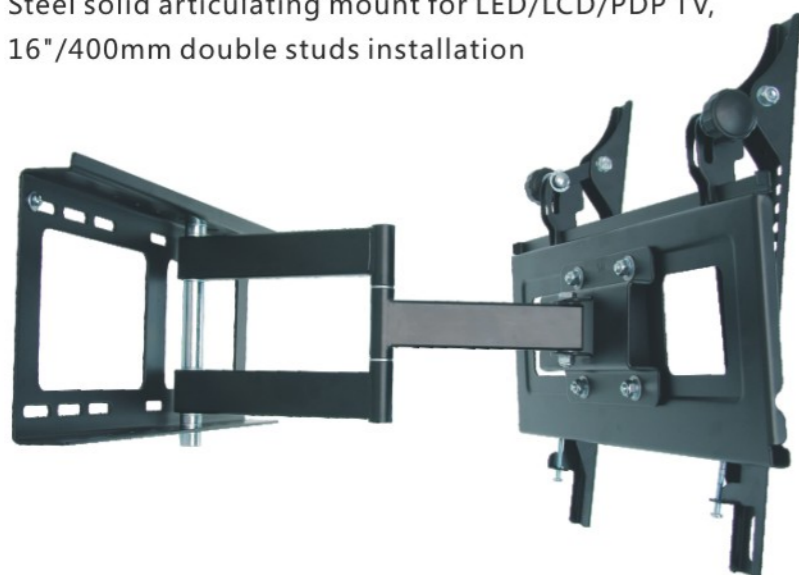
**PSW558MT**  
Fits most displays: 32"-55"  
Universal VESA: 100X100 600X500  
Distance to the wall: 28 mm  
Max loading capacity: 30 kg



# F lat Panel Mounts

# F lat Panel Mounts

Steel solid articulating mount for LED/LCD/PDP TV,  
16"/400mm double studs installation



**PSW771**  
Fits most displays: 32"-50"  
Universal VESA: 600X400  
Distance to the wall: 99-455 mm  
Max loading capacity: 40 kg



Full – automatic produced from punching to assembling, brings a mount with more cost effective, even better quality, for which every other mount on the market strives.



**Safety Lock**  
Built-in Safety lock keeps your flat panel TV safe and stable.



**Extended Swivel Arm**  
Extended arm offers wide-angle optimum viewing position



**Safety Lock**  
Built-in Safety lock keeps your flat panel TV safe and stable.



**Magnetic Bubble Level**  
Perfect positioning is guaranteed by removable magnetic bubble level.



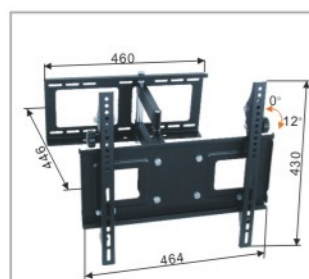
**Universal Hole Pattern**  
Random hole pattern and side-to-side adjustment allow mount to fit nearly all flat-panel TVs



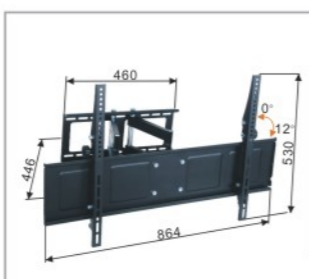
**Magnetic Bubble Level**  
Perfect positioning is guaranteed by removable magnetic bubble level.



**Universal Hole Pattern**  
Random hole pattern and side-to-side adjustment allow mount to fit nearly all flat-panel TVs



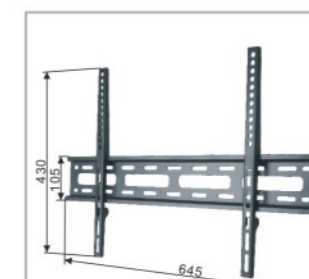
**PSW770**  
Fits most displays: 23"-42"  
Universal VESA: 400X400  
Distance to the wall: 99-455 mm  
Max loading capacity: 35 kg



**PSW772**  
Fits most displays: 42"-65"  
Universal VESA: 800X500  
Distance to the wall: 99-455 mm  
Max loading capacity: 50 kg



**PSW598SF**  
Fits most displays: 23"-46"  
Universal VESA: 400X400  
Distance to the wall: 25 mm  
Max loading capacity: 30 kg

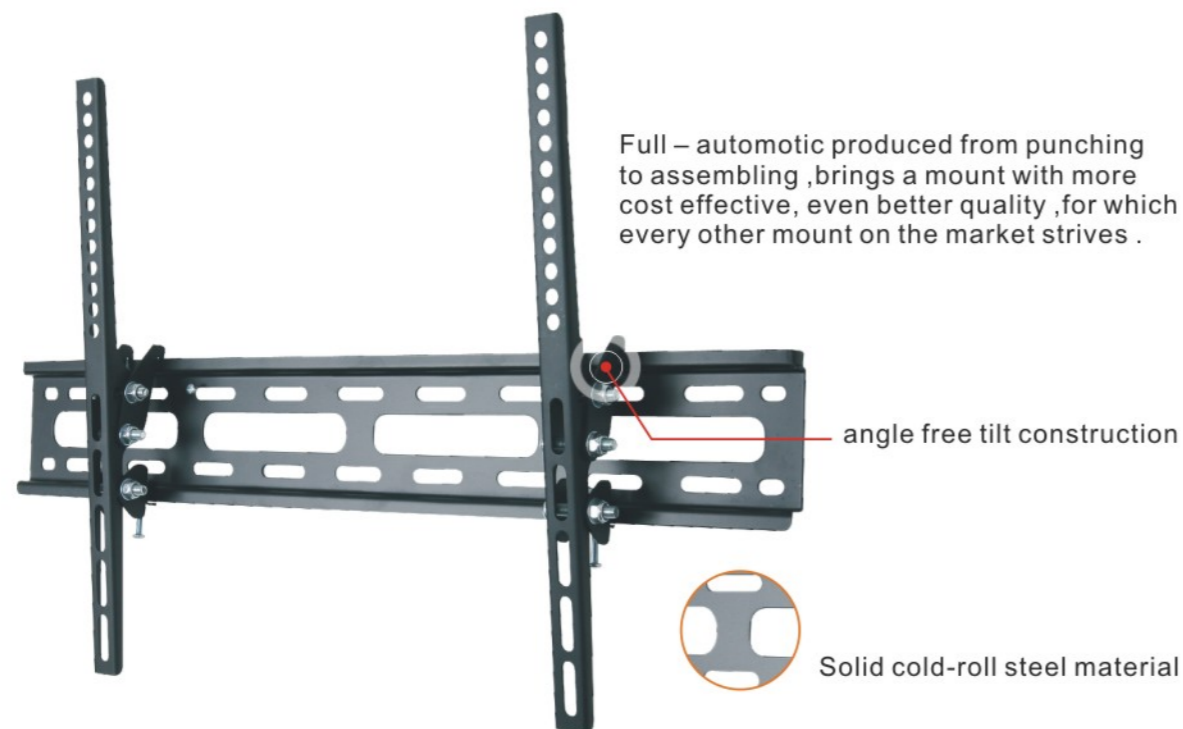


**PSW598MF**  
Fits most displays: 36"-55"  
Universal VESA: 600X400  
Distance to the wall: 25 mm  
Max loading capacity: 52 kg



# Tilting Mounts

# Full Motion Mounts



Aluminum die-casting solid articulating mount, angle free adjustable



## WLB141

Fits most displays: 10"-24"  
Universal VESA: 75X75 100X100  
Distance to the wall: 78-330 mm  
Max loading capacity: 15 kg



### Safety Lock

Built-in Safety lock keeps your flat panel TV safe and stable.



### Angle Free Tilt Function

By self-locking mechanical construction, it provides effortless adjustment of viewing angle without tightening the knob.



### Integrated Bubble Level

Perfect positioning is guaranteed by integrated bubble level



### Safety Lock

Built-in Safety lock keeps your flat panel TV safe and stable



### Magnetic Bubble Level

Perfect positioning is guaranteed by removable magnetic bubble level.



### Cable Management System

The cable management system gathers and routes your cable neatly



### Strong Performance

Aluminum solid construction & durable powder coated finish insured strong performance of all Loctek mounts



# Full Motion Mounts

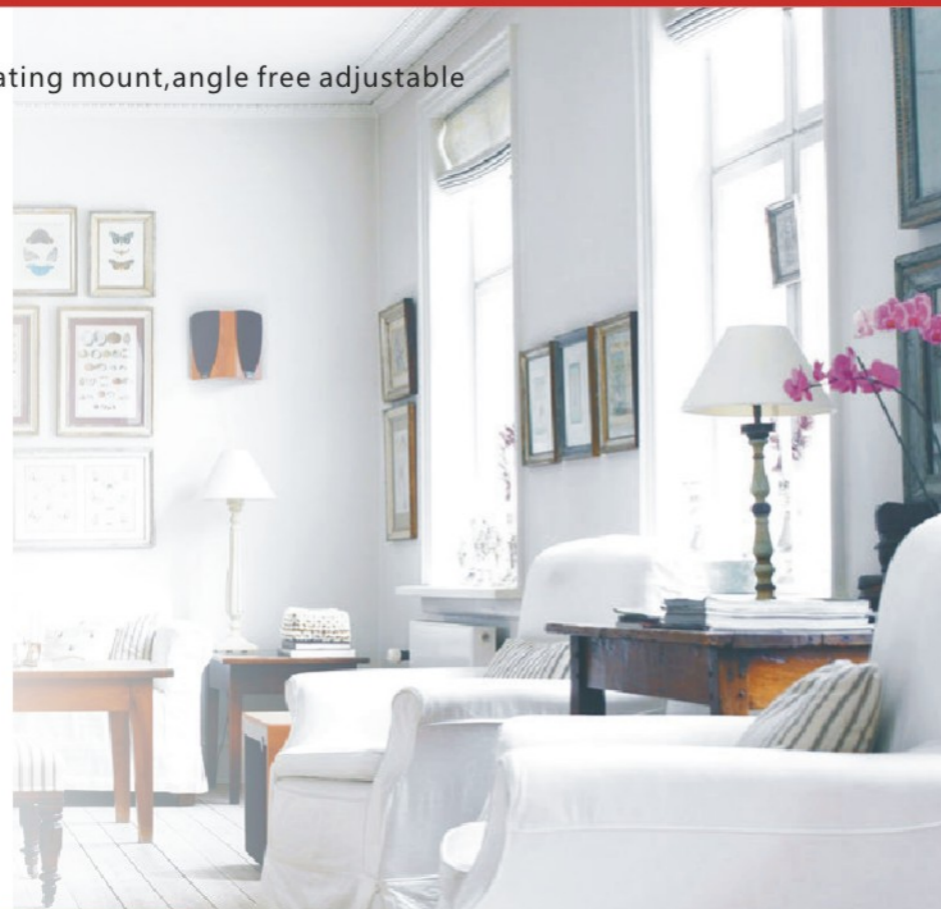
Aluminum die-casting solid articulating mount, angle free adjustable



## WLB273A

Fits most displays: 10"-32"  
Universal VESA: 100X100 200X200  
Distance to the wall: 90 mm  
Max loading capacity: 25 kg

**PATENT**



*Let's share the life!*



### Universal Hole Pattern

Random hole pattern and side-to-side adjustment allow mount to fit nearly all flat-panel TVs



### Decorative End Caps

Stylish and durable caps provide elegant and solid look for mounted flat panel TVs.



### Cable Management System

The cable management system gathers and routes your cable neatly.



### Safety Lock

Built-in Safety lock keeps your flat panel TV safe and stable.



## WLB971SA

Fits most displays: 10"-32"  
Universal VESA: 200X200  
Distance to the wall: 90-350 mm  
Max loading capacity: 20 kg

**PATENT**



## PSW971L

Fits most displays: 14"-40"  
Universal VESA: 400X200  
Distance to the wall: 110-552 mm  
Max loading capacity: 40 kg

**PATENT**